

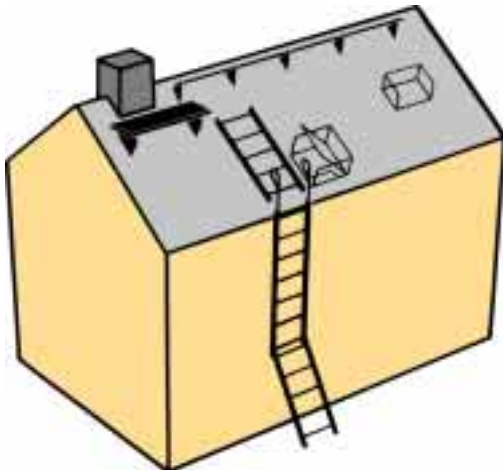
CAT LADDERS

	Page
Building rules	88
Cat ladder	89
Accessories for cat ladder	90
Rest landing for cat ladder	91
Escape platform	92
Modules for escape platform	93
Chimney Clamps	94
Chimney platform	95



WELAND RECOMMENDATIONS FOR THE INSTALLATION OF LADDERS

Access to Roof Area



Façade Height between 4 and 8 metres
Provide a fixed cat ladder on the outside wall or on the inside of the building.

A roof gangway can be installed on roofs with up to 12 degrees slope.

Roof Access Treads can be used on roofs with slope between 8 and 45 degrees.

Roof Access Ladders can be used on roofs with slope exceeding 25 degrees.

Weland offers a complete range of roof safety accessories. Ask for the brochure "Roof Safety Accessories".

Ladder arranged on the Outside of a Chimney

A chimney has to be provided with a fixed ladder, if the height of the chimney exceeds 1.2 m on the entering side.



Height of Fall less than 8 metres

The ladder has to be provided with a rest platform measuring at least 35 x 30 cm.



Height of Fall 8 – 10 metres
or height of chimney exceeding 2 m

Provide a working platform measuring at least 30 x 60 cm furnished with a railing 1 metre high provided with intermediate rail.



Height of Fall 10 – 30 metres

The ladder has to be provided with a protecting cage

Height of fall means the distance from the top of the chimney to the nearest plane preventing the fall. This plane could be a roof with a slope not exceeding 6 degrees. This plane should extend at least 2 metres in all directions measured from the centre of the ladder. If the slope of the roof exceeds 6 metres, the height of fall is measured all the way down to the ground next to the ladder entering position.

Escape Routes

Weland cat ladders are approved according to SS 831340 (functional standard). Fixed cat ladders are required with façade heights exceeding 4 metres. The ladder should end on suitable distance above the ground dependent on the possibility of access required. Escape ladders must end not more than 1.5 m above ground.

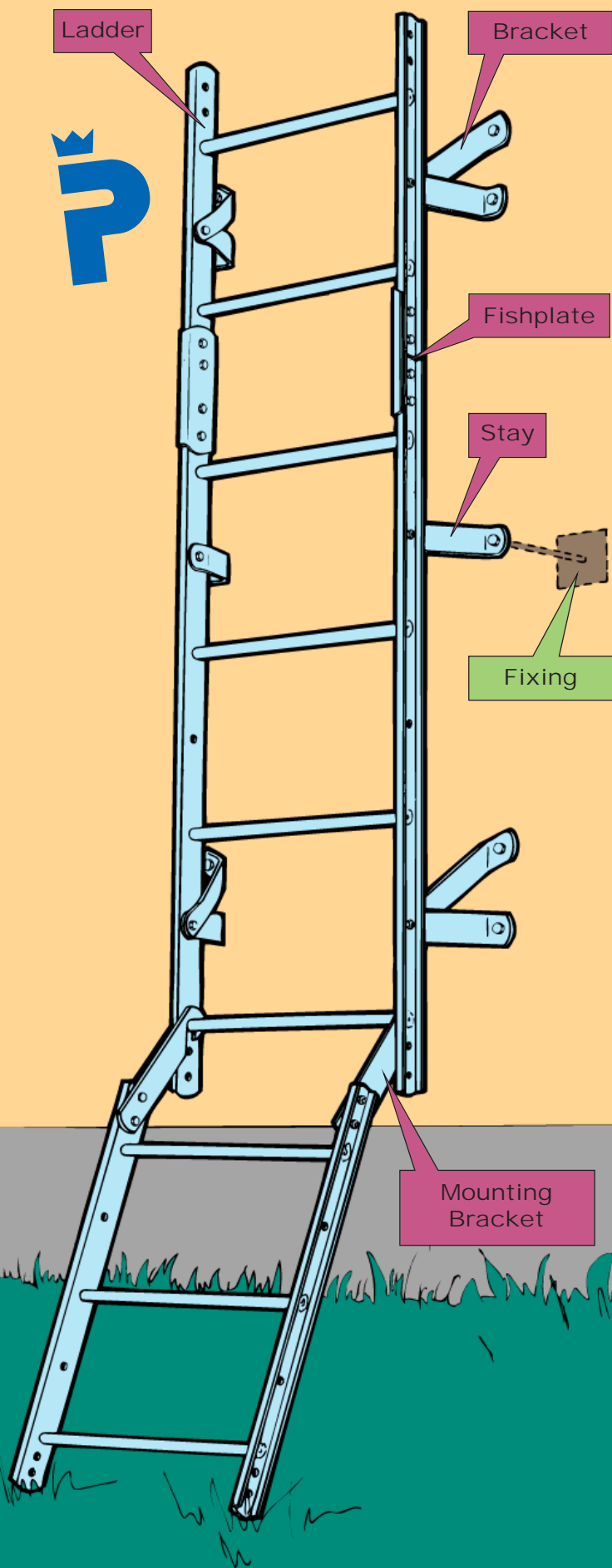
Weland cat ladders are well apt for mounting on towers, silos, bridge piers, chimneys etc. In case of very high ladders rest platforms should be provided. In case a protecting cage is mounted this should end on a maximum distance of 2.5 metres above ground. We recommend that ladders with height exceeding 6 metres should be provided with a protecting cage.

Escape ladders should always be provided with a protecting cage, if they include escape platforms. This measure has to be taken to prevent stepping out into open air.



CAT LADDER

Low weight ladder with good stability. The stringers are manufactured from roller formed U-profile. Rungs of tube with upset ends both on the inside and the outside for double safety. Design following SS 83 13 40



Ladder

Length x width	part no.	weight kg
1500 x 450 mm	ST 1545	7,0
1800 x 450 mm	ST 1845	8,4
2400 x 450 mm	ST 2445	11,2
3000 x 450 mm	ST 3045	14,2
3600 x 450 mm	ST 3645	17,2

Fishplates

Description	part no.	weight kg
One set required per ladder and joint	SK 7001	1,3

Stays (2 off incl. bolts) packeted

Distance between wall and outer edge of gutter	Max distance between stays	part no	weight kg
150 mm	2500 mm	KS 1501	0,9
250 mm	2500 mm	KS 2501	1,3
350 mm	2500 mm	KS 3501	1,7
450 mm	2500 mm	KS 4501	3,2
550 mm	2500 mm	KS 5501	3,6
650 mm	2500 mm	KS 6501	4,1
750 mm	2500 mm	KS 7501	4,6

Bracket (2 off incl. bolts) packeted

Distance between wall and outer edge of gutter	Max distance between stays	part no	weight kg
150 mm	5000 mm	KS 1500	1,7
250 mm	5000 mm	KS 2500	2,4
350 mm	5000 mm	KS 3500	3,1
450 mm	5000 mm	KS 4500	5,3
550 mm	5000 mm	KS 5500	6,1
650 mm	5000 mm	KS 6500	7,0
750 mm	5000 mm	KS 7500	7,9

Mounting Brackets (2 off compl. with bolts)

Number of sets per ladder	part no.	weight kg
1 set	KS 6030	1,3

Fixing alternatives

Stainless Through Rod

Complete with nut and square washer 100 x 100 mm

Description	Length	part no.	weight kg
Stainless threaded rod	1000 mm	RB 1210	1,2
Stainless threaded rod	500 mm	RB 1205	0,8

Expansion Bolt for fixing in concrete

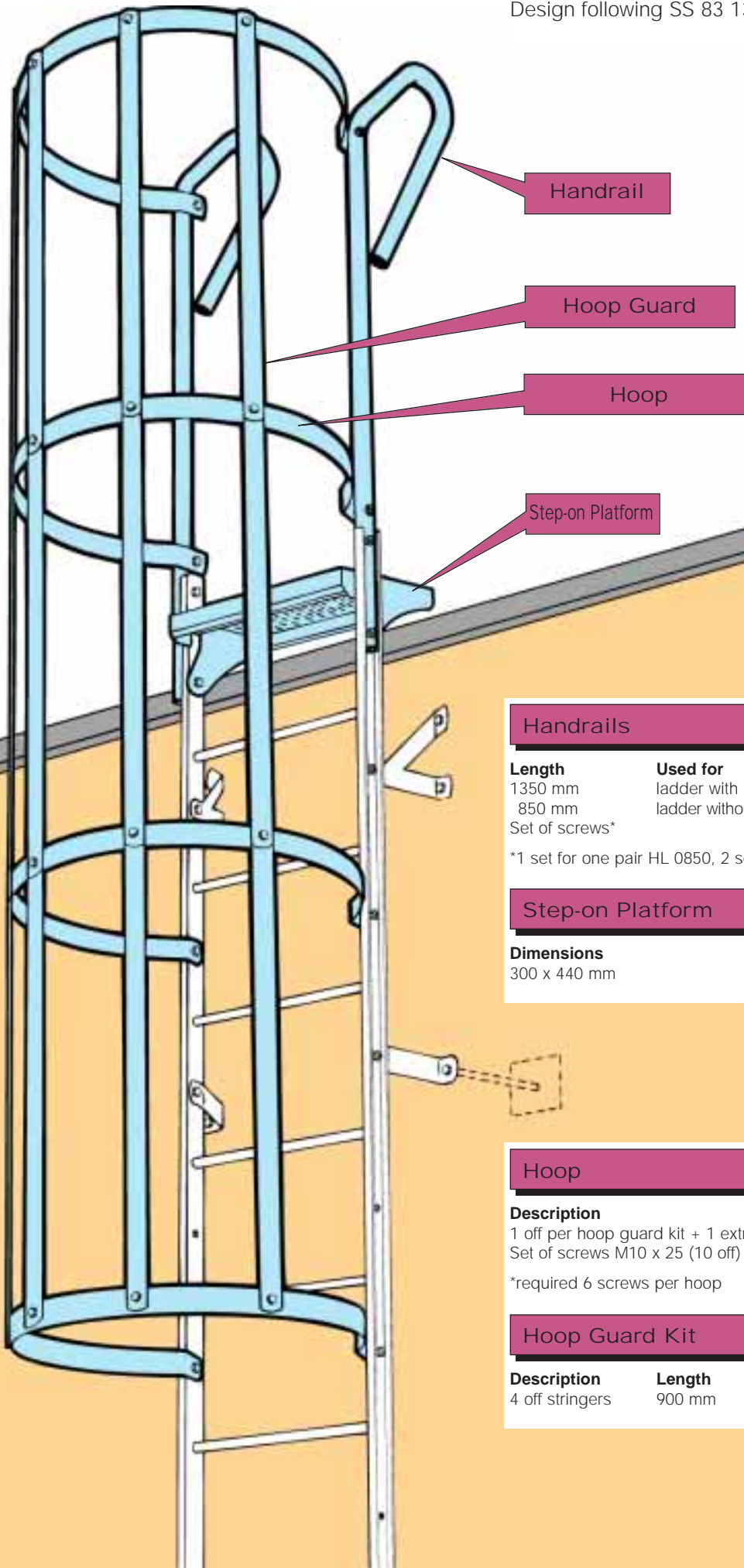
Description	Length	part no.	weight kg
Hot dip galvanized M 12	100 mm	EB 1210	0,2

French Screw with Plug

Description	Length	part no.	weight kg
Set of french screws (10 off)	12 x 100 mm	FS 1210	0,6
Plug for french screw (10 off)		FS 1000	0,1

ACCESSORIES FOR CAT LADDER

Design following SS 83 13 40



Handrails

Length	Used for	Part no.	Weight kg
1350 mm	ladder with hoop guard	HL 1350	5,2
850 mm	ladder without hoop guard	HL 0850	4,0
Set of screws*		BS 1051	0,1

*1 set for one pair HL 0850, 2 sets for one pair HL 1350

Step-on Platform

Dimensions	Part no.	Weight kg
300 x 440 mm	SD 3044	5,0

Hoop

Description	Part No.	Weight kg
1 off per hoop guard kit + 1 extra*	HL 1000	3,5
Set of screws M10 x 25 (10 off)	BS 1025	0,1

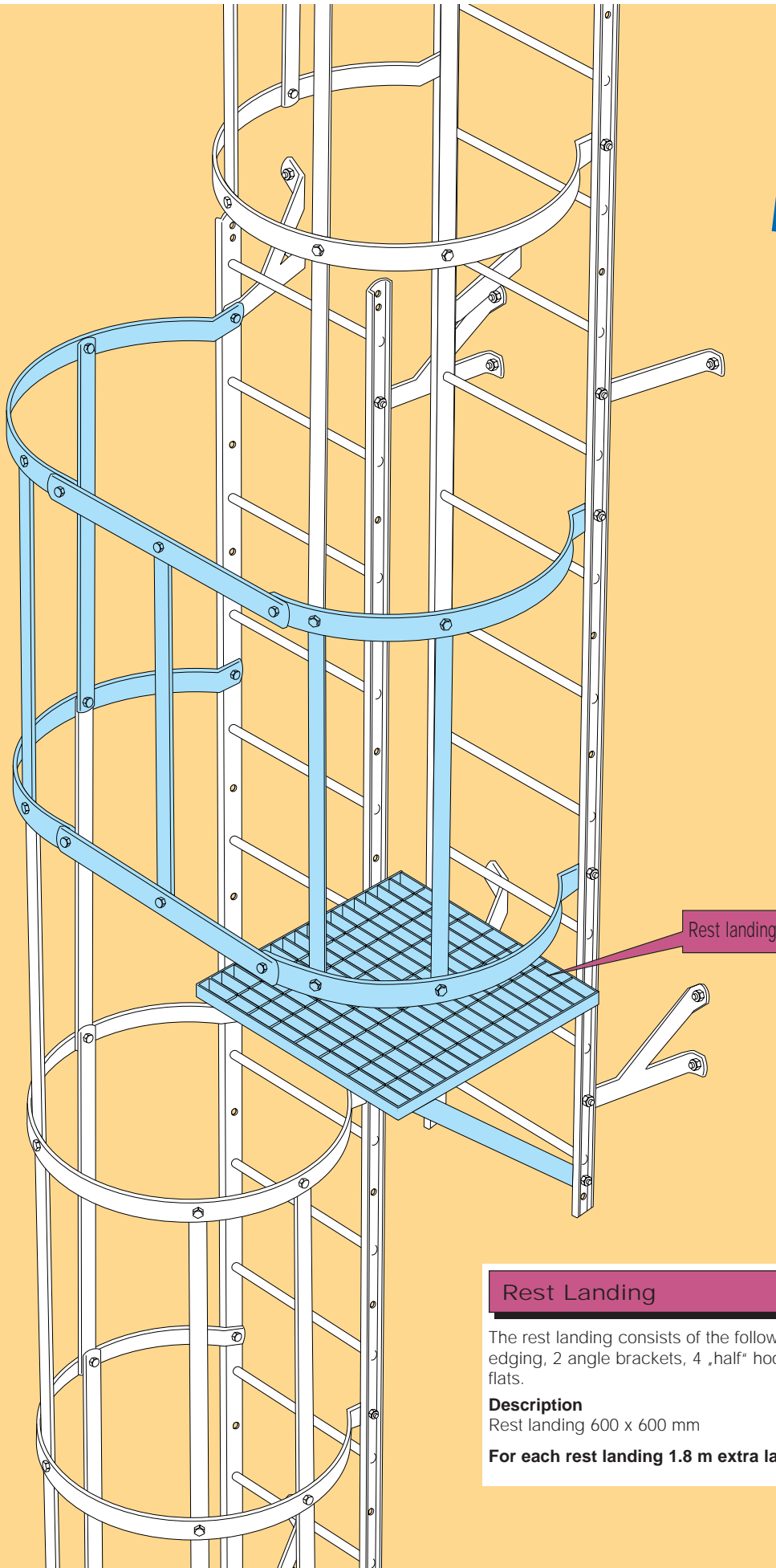
*required 6 screws per hoop

Hoop Guard Kit

Description	Length	Part no.	Weight kg
4 off stringers	900 mm	HL 4009	5,3

REST LANDING

In order to increase safety, cat ladders higher than 6 metres should be provided with a rest landing. Extremely high cat ladders should have rest landings every 6 metres. Design following SS 83 13 40.



Rest Landing

The rest landing consists of the following components: 1 grating with edging, 2 angle brackets, 4 „half“ hoops, 2 horizontal and 5 vertical flats.

Description	Part no.	Weight kg
Rest landing 600 x 600 mm	GL 6060	33,4

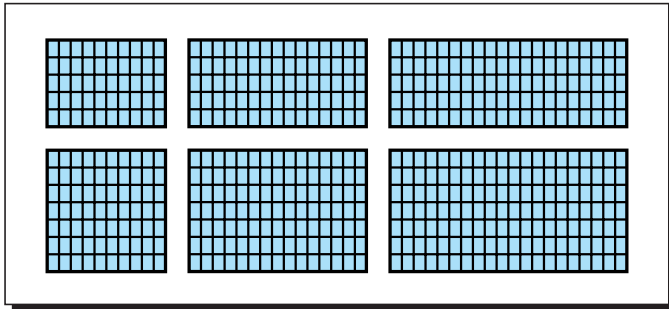
For each rest landing 1.8 m extra ladder are required

ESCAPE PLATFORM



MODULES FOR ESCAPE PLATFORMS

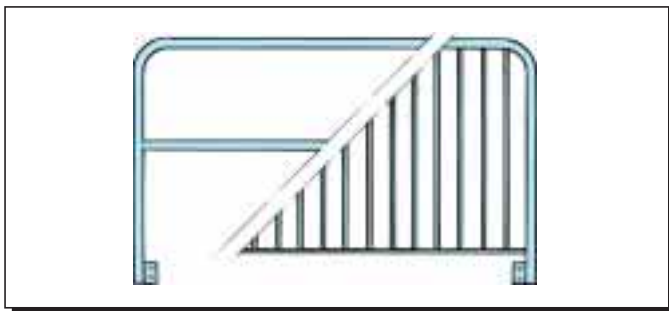
Weland Escape Platforms are constructed in modules. These can, if required, be connected to a larger platform. Special design: Platform floor of wood or checker plate. Railing and grating can also be supplied in stainless steel. Dimensions off standard on requirement.



Platform

The platform consists of a frame with module measurements. This frame is then provided with a floor of Weland grating. Note: The grating does not necessarily fill the frame completely. An opening for entering the platform can be left in the grating. Several modules can be connected to one unit.

Description	Length x Width	Part no.	Weight kg
Platform	1000 x 700 mm	PF 1007	34
Platform	1500 x 700 mm	PF 1507	46
Platform	2000 x 700 mm	PF 2007	60
Platform	1000 x 1000 mm	PF 1010	49
Platform	1500 x 1000 mm	PF 1510	67
Platform	2000 x 1000 mm	PF 2010	85



Standard Balustrade height 1100 mm

Description	Length	Part no.	Weight kg
Standard balustrade	700 mm	RS 0700	9,3
Standard balustrade	1000 mm	RS 1000	10,5
Standard balustrade	1500 mm	RS 1500	12,8
Standard balustrade	2000 mm	RS 2000	14,7

Childsafe Balustrade height 1100 mm

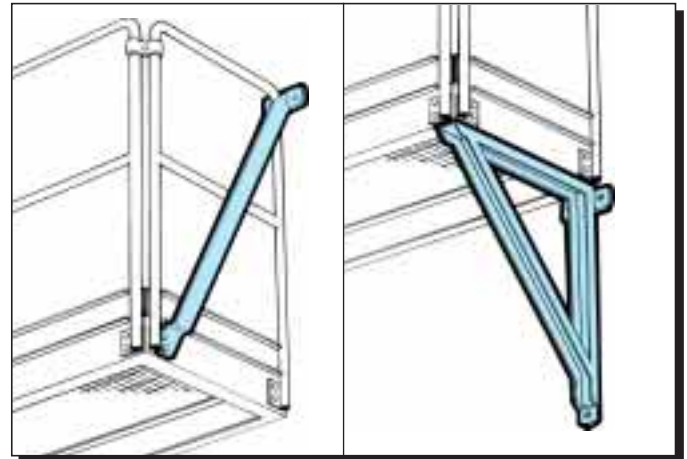
Description	Length	Part no.	Weight kg
Childsafe Balustrade	700 mm	RB 0700	13,1
Childsafe Balustrade	1000 mm	RB 1000	15,9
Childsafe Balustrade	1500 mm	RB 1500	21,2
Childsafe Balustrade	2000 mm	RB 2000	26,4

Corner Coupling

Description	Part no.	Weight kg
Gull wing coupling	MK 0101	0,3

Kick Strips

Description	Length	Part no.	Weight kg
Kick strip	700 mm	SP 0700	1,3
Kick strip	1000 mm	SP 1000	2,0
Kick strip	1500 mm	SP 1500	3,0
Kick strip	2000 mm	SP 2000	4,0
Self-cutting screw (for 1 off.)		BS 8000	-



Suspension Bracket

Description	Part no.	Weight kg
For 700 mm wide platform	HK 0700	5,1
For 1000 mm wide platform	HK 1000	5,6

Bracket

Description	Part no.	Weight kg
For platform width 700 mm	PK 0700	7,2
For platform width 1000 mm	PK 1000	8,1

Set of Screws

Description	Part no.	Weight kg
For platform length 1000 mm	PB 1000	-
For platform length 1500 and 2000 mm	PB 2000	-

Fixings

Stainless Through Rod

complete with nut and square washer 100 x 100 mm

Description	Length	Part no.	Weight kg
Threaded rod M12, stainless	1000 mm	RB 1210	1,2
Threaded rod M12, stainless	500 mm	RB 1205	0,8

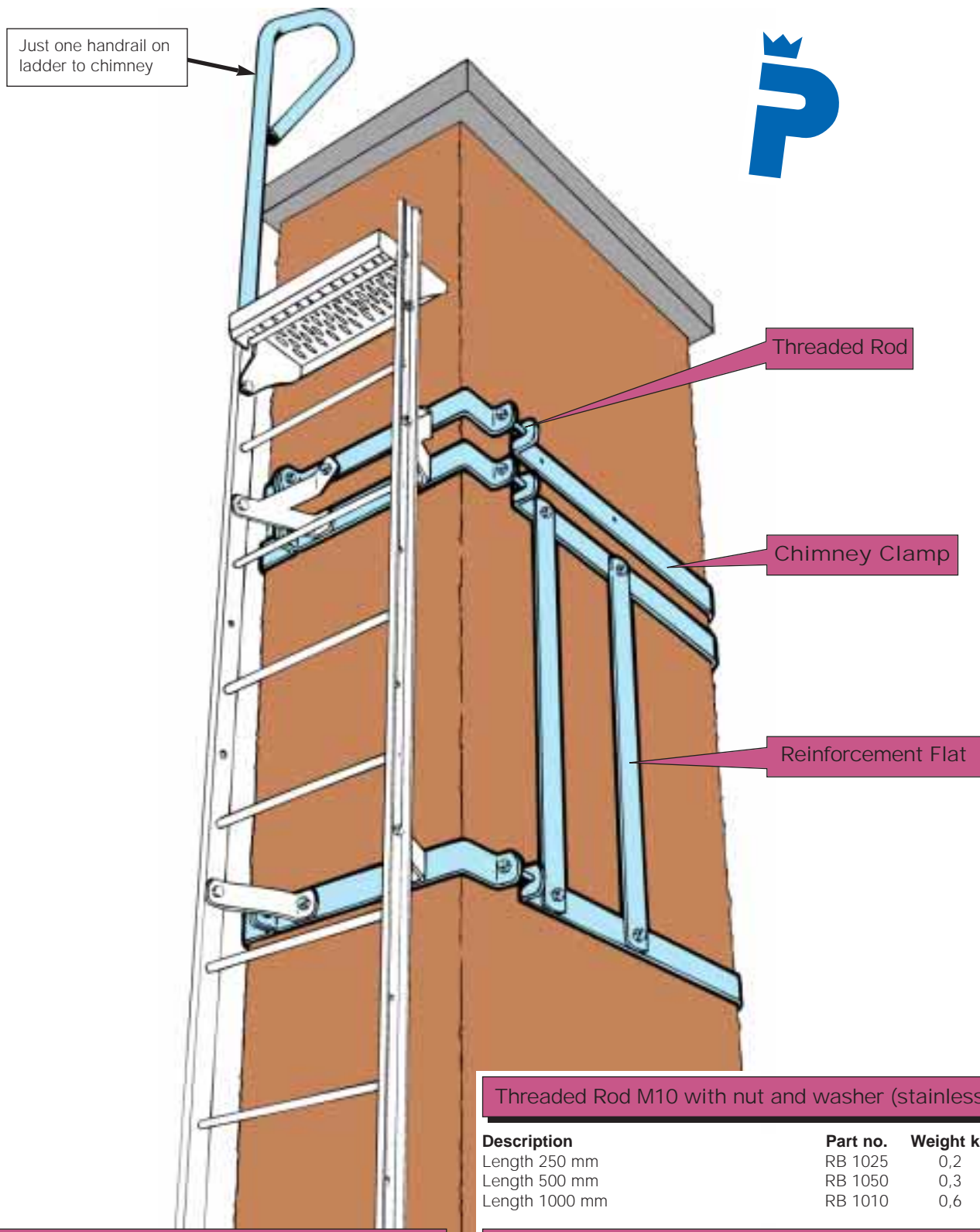
Expansion Bolt

For fixing in concrete.

Description	Length	Part no.	Weight kg
Hot dip galvanized M12	100 mm	EB 1210	-

CHIMNEY CLAMPS

When fixing equipment onto a chimney always use chimney clamps, as the bricks in a chimney age faster than other brickwork. Therefore, french screws, expansion bolts or similar fixings are not apt to be used in chimneys. Flexible chimney clamps with only two module sizes. These modules together with different lengths of threaded rods cover all chimney dimensions from 430 x 430 mm to 2000 x 2000 mm. When ordering just state the chimney dimensions.



Chimney Clamps

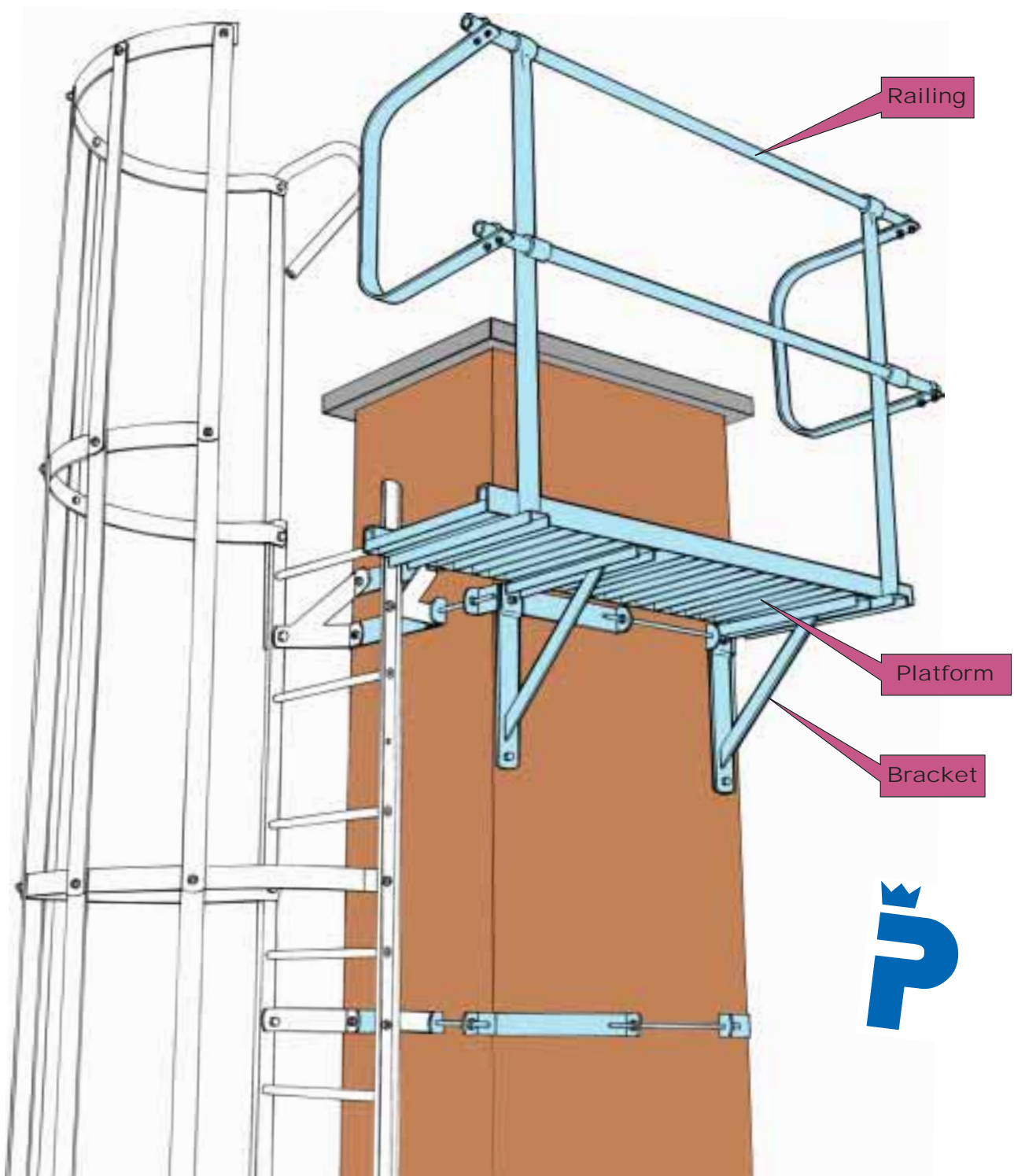
Description	Part no.	Weight kg
Length 430 - 1390 mm	SB 0500	1,5
Length 1040 - 2000 mm	SB 1000	2,9
Bolt M10 x 30 mm	VB 1030	0,1

Reinforcement Flats

Description	Part no.	Weight kg
Reinforcement flat (if required)	HL 4009	5,3
Bolt M10 x 30 mm	VB 1030	0,1

CHIMNEY PLATFORMS

For chimney platforms we use our standard roof bridges and roof railings. For fixing we recommend to use Weland chimney clamps (see page 94). For rules to be applied see page 88.



Platform

Description	Part no.	Weight kg
Grating 600 x 350 mm	GD 0635	3,4
Grating 1200 x 350 mm	GD 1235	6,7
Grating 2400 x 350 mm	GD 2435	13,4
Slit grating 600 x 350 mm	UD 0635	4,0
Slit grating 1200 x 350 mm	UD 1235	8,0
Slit grating 2400 x 350 mm	UD 2435	15,0
Bracket 400 mm	PK 0430	3,2
J-hook M8 x 48 (for 5 brackets)	JK 0848	0,1
Bolt M10 x 30 (for 2 brackets)	VB 1030	0,1

Railing for Platform

Description	Part no.	Weight kg
Baluster height 1000 mm	BR 1127	4,0
Self-drilling screw (for 1 baluster)	BS 8000	-
Screw set for FWG-gangway (2 off)	BS 1100	0,1
Screw set for SG-gangway (2 off)	VB 1030	0,1
End loop	AB 1100	2,6
Balustrade tube Ø 27 mm, 3 m	RR 2730	4,5
Set of screws for tube joint (for 5 off)	BS 0840	0,1